

VON DUPRIN®

Remote undocking and remote monitoring



Overview

In many institutional facilities, traffic is funneled through main perimeter openings equipped with access control. The remaining secondary perimeter openings utilize mechanical hardware, some of which is mechanically dogged (unlocked) and undogged (locked) to enable push/pull operation. The manual management and monitoring of these openings is inefficient and prone to human error.

The Von Duprin® RU retrofit kit for exit devices is a cost effective solution for these secondary openings that enables remote undocking for centralized lock down and door status monitoring. It connects wirelessly to our access control Physical Access Control Software (PACS) providers via an IP or RSI/RS-485 connection to the ENGAGE™ gateway. It is a modular battery powered kit that can be added on to existing 98/99 and 33A/35A series devices. The RM option is a sensor only configuration for exit only or fire rate doors that require monitoring. It provides visibility to request to exit (RX), latchbolt monitor (LX) and door position switch (DPS).² This complementary solution enhances security by expanding the reach of the access control system to secondary openings that traditionally would go unaddressed because of the cost and complexity of running wires. Bringing these secondary openings online provides a more comprehensive perimeter security package.

Features and benefits

- Access control managed via an IP or RSI/RS-485 connection to the ENGAGE gateway through PACS providers
- Modular kit compatible with 98/99 and 33A/35A series devices
- Enables undocking for centralized lockdown (via real time IP or RS-485) or scheduled lockup (via Wi-Fi or real time IP or RS-485)
- Cylinder and hex mechanical dogging is maintained but can be overridden electronically
- Enables comprehensive view of door status via request to exit (RX), latchbolt monitor (LX) and door position switch (DPS)
- Sensor only configuration version (RM) available for exit only doors or fire rated doors
- Battery life up to 2 years with 4 standard AA batteries¹
- Electronics Certifications: UL294 indoor, FCC Part 15 - Commercial

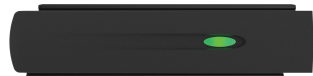
¹ Assuming dog and undog sequence use rate is 2 cycles per day, exception notification rate is one occurrence every 2 days, and door use of at least 200 cycles per day (sensor and wireless activity indication).

² RU using ENGAGE software or PAC solution via Wi-Fi is available for scheduled lock-up events only. This solution is not available for real time lockdown.

CYBERSECURITY

Learn about Allegion's commitment

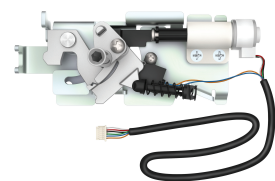
Main components of RU kit:



Cover



Battery housing/batteries/main PCB



Undog assembly



LX/DPS and RX switch assembly

Wireless specifications

Audits	Up to 2,000 ¹
Visual communications	LED (red, amber, green)
Audible communications	Audible indicator (field configurable)
Communication standards	<ul style="list-style-type: none"> ▪ Bluetooth® low energy (BLE) (version 4.2) ▪ Advanced Encryption Standard (AES), 256-bit ▪ 2.4 GHz Wi-Fi® (IEEE 802.11b/g/n)² ▪ WPA2, WPA, WEP, 802.1x ▪ Transport Layer Security (TLS) version 1.2
Communication range	Up to 30 ft.
Wake-Up on Radio	Responds to command from host in less than 5 seconds when linked to ENGAGE Gateway (requires PACS provider system)
Connectivity options	<ul style="list-style-type: none"> ▪ IP or RSI/RS-485 connection to the ENGAGE™ gateway ▪ BLE to mobile devices ▪ BLE to ENGAGE Gateway ▪ Wi-Fi (ENGAGE software enabled or PAC enabled where integrated)²
Battery life	Up to 2 years with 4 AA batteries ³
Operating temperature	-4° to 140°F (-20° to 60°C)
Operating humidity	0 - 100% non-condensing
Certifications	<p>Exit Devices will maintain the following: BHMA A156.3 (Grade 1), UL305, Windstorm WX98/9927, Tornado FEMA 361 ANSI/ICC500, ADA ANSI A117.1, UL 10C 3 hour, ANSI/BHMA 156.18-2012 QUV</p> <p>Electronics Certification: UL294 indoor, FCC Part 15 - Commercial</p>

Available status signals

- Request-to-exit
- Door position
- Interior cover tamper⁴
- Magnetic tamper
- Battery status
- Dog/undog status⁵
- Communication status⁴

ENGAGE™ mobile applications

The ENGAGE mobile application delivers simple and convenient site device set-up.

¹ Maximum audit storage capacity of lock. Can vary upon access control software audit storage capacity when linked with an ENGAGE Gateway RS-485 to ACP.

² For offline management only.

³ Assuming dog and undog sequence use rate is 2 cycles per day, exception notification rate is one occurrence every 2 days, and door use of at least 200 cycles per day (sensor and wireless activity indication).

⁴ Consult your access control software provider for specific scope of support.

⁵ Software indicates dog/undog status based on sequence of events.

Mechanical specifications

Dogging Options	Cylinder Dogging, Hex Dogging
ANSI standard (Meets or exceeds)	ANSI/BHMA A156.25-2013 (Indoor/Outdoor) ANSI/BHMA A156.2-2011, Series 4000, Grade 1

Compatible exit devices

	33A/35A*	98/99*
RIM	✓	✓
SVR	✓	✓
CVR	✓	✓
CVC	✓	✓
Mortise	–	–
3 pt latch	✓	✓

* For devices manufactured after 9/1997.

RU not compatible with exit devices with the following options:

QEL, DI/CDSI/HDSI, RX2, AD, SD, SS, PN, ES/PL, CX, XP

RM not compatible with exit devices with the following options:

DI/CDSI/HDSI, RX2, AD, SD, SS, PN, ES/PL, CX, XP

Compatible device lengths

For Remote Undogging (RU) Module installation: All 33A/35A and 98/99 device types – 3' (914 mm) length to 2' 9" (838 mm), 4' (1219 mm) length to 3' 3" (991 mm)

For Remote Monitoring (RM) Module only: All 33A/35A and 98/99 device types – 3' (914 mm) length to 2' 8³/₄" (832 mm), 4' (1219 mm) length to 3' 2³/₄" (984 mm)

For Remote Monitoring (RM) Module with EL/QEL: All 33A/35A and 98/99 device types – 3' (914 mm) length only, 4' (1219 mm) length to 3' 5¹/₈" (1045 mm)

How to order

Remote Undogging

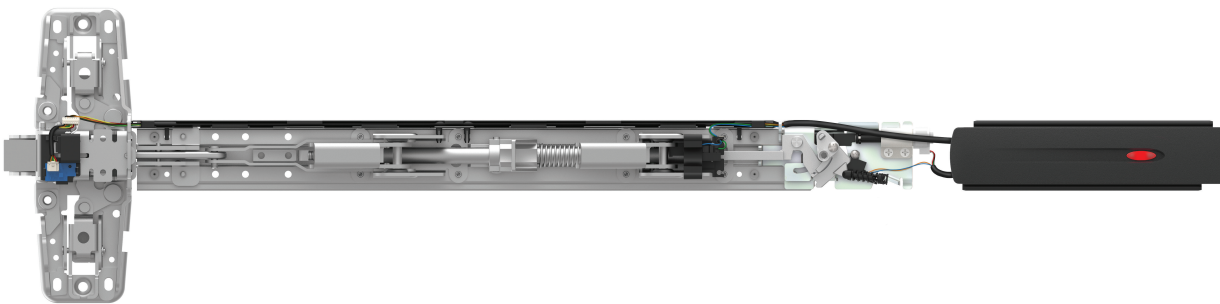
RU 3' kit	47258681
RU 4' kit	47258682

Remote Monitoring

RM 3' kit	47258683
RM 4' kit	47258684

NOTE: Specify CON for Allegion Connect.

If the door and exit device are fire rated, and the exit device type is a 98/99-F Rim manufactured prior to April 1, 2018, a new center case will be required before proceeding with the installation of the RM kit. 98/99-F Rim Center Case Kit Less Cover, part number 050026.



This page intentionally left blank.

Allegion, the Allegion logo, ENGAGE technology, and Von Duprin are trademarks of Allegion plc, its subsidiaries and/or affiliates in the United States and other countries. All other trademarks are the property of their respective owners.

About Allegion

Allegion (NYSE: ALLE) is a global pioneer in seamless access, with leading brands like CISA®, Interflex®, LCN®, Schlage®, SimonsVoss® and Von Duprin®. Focusing on security around the door and adjacent areas, Allegion secures people and assets with a range of solutions for homes, businesses, schools and institutions.

For more, visit www.allegion.com

KRYPTONITE ■ LCN ■  ■ STEELCRAFT ■ VON DUPRIN



© 2022 Allegion
011898, Rev. 11/22
www.allegion.com/us